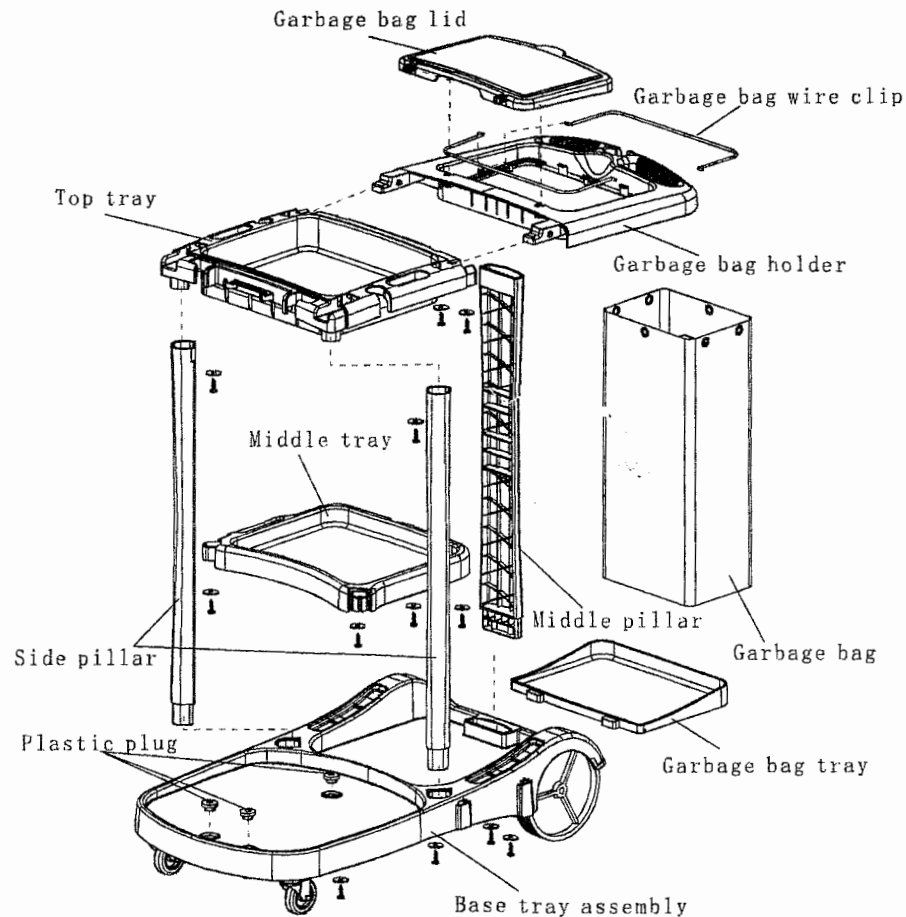


# 7224801 Multi-function Janitor Cart Assembly Instruction



step 1: Fit the middle and side pillars into the proper place of the middle tray according to the picture shown, then fix it properly on the base tray with screws & washers.

step 2: Take out and assemble top tray to the correct place according to the picture and then fix it with screw & washers.

step 3: Take out the garbage bag holder, and assemble the garbage bag wire clip into the holes according the picture shown.

step 4: Take out the lid, assemble it into the proper place of garbage bag holder as the sketch shown , check and make sure it could be turned over smoothly.

step 5: Fit the garbage bag holder assembly into the proper place of top tray.

step 6: Fit the garbage bag tray onto base tray, then hang the garbage bag on the hooks of the garbage bag holder.